



COMBO'PUNCH 100D



▶ WALL PROTECTION RAIL (D-SHAPED) - 100 MM HIGH

Applications

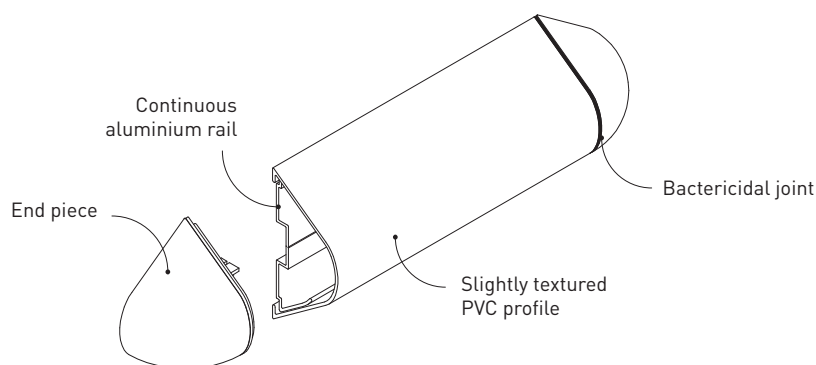
Thanks to its 50 mm depth of protection, Combo'Punch 100D keeps wheeled equipments, such as trolleys, carts, wheelchairs, hospital beds, away from the walls and contributes to reduce damages from such impacts especially in corridors and storage areas.

Specification

- Description : D-shaped wall protection rail (Combo'Punch 100D as manufactured by SPM) from slightly textured (Optimixt grain as manufactured by SPM) and antibacterial PVC achieving Bs2d0 fire rating with solid colour. PVC profile projects 50 mm, is 100 mm high and 2 mm thick. It snap-fixes onto continuous aluminium rail. Finish is provided by slightly textured end pieces (52 mm wide).
- Environment: no heavy metals and no substance potentially subjected to any REACH restriction are used in its manufacture, nor PBT/BPA. The calcium-zinc thermal stabilisation process is used.

The emission level of volatile substance in inside air has been tested according to ISO 16000-6 and is very low (A+) according to the French regulation (23 March 2011 nr 2011-321 Decree and 19 April 2011 Order). 100% of the product are recyclable.

- Colour: selected by architects from manufacturer's standard range. The end piece colours are the same as the profile.
- Installation method: recommended height of protection rail centreline 0.80 m above floor level for mid-level wall protection or on top of the skirting for low level wall protection. Snap-fixes onto continuous aluminium rail.



Combo'Punch 100D
4 colours*



*and 28 colours on request
(Please contact us)

Description

- Model: Combo'Punch 100D wall protection rail
- Height: 100 mm
- Depth: 50 mm
- Length: 4 m
- Material: 2 mm thick PVC, antibacterial and Bs2d0 fire-rated, solid colour
- Surface finish: slightly textured («Optimixt» grain*)
- Fixing components: continuous aluminium rail
- Colours: 4 standard and 28 on request (Please contact us)

***"Optimixt" grain: optimal combination of scratch resistance, hygiene and aesthetic.*

